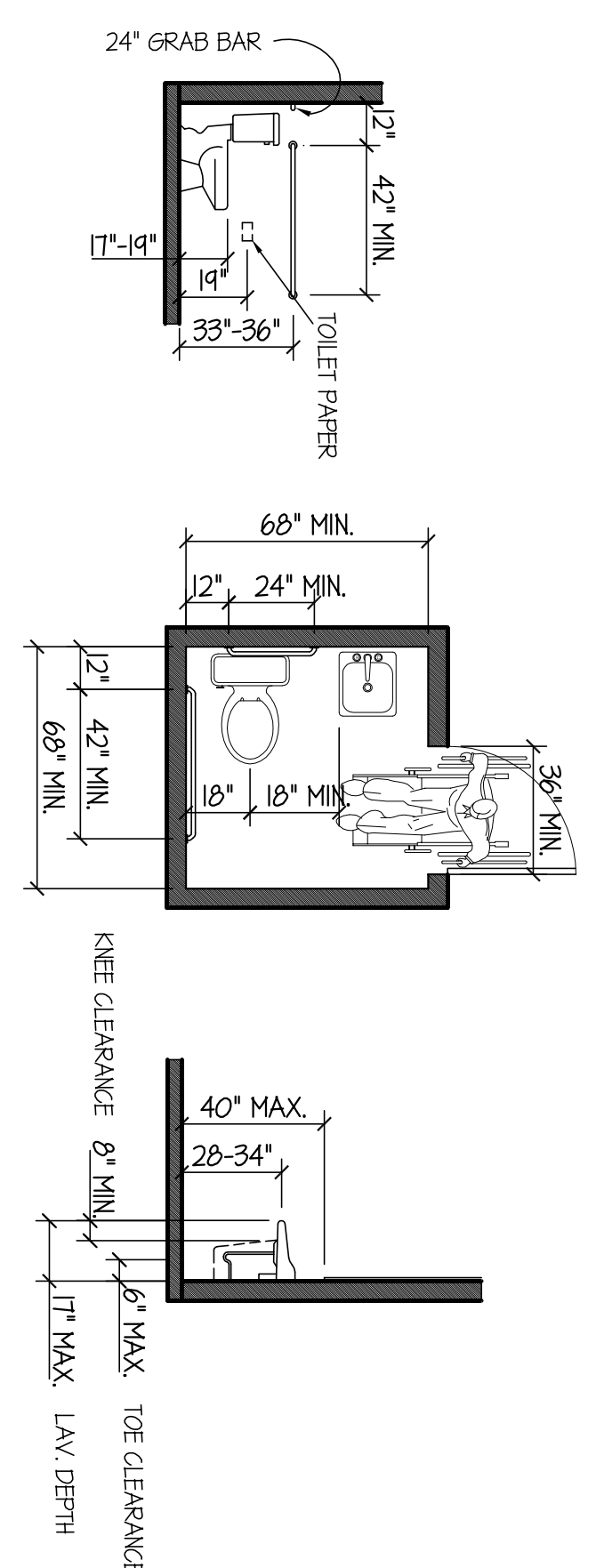
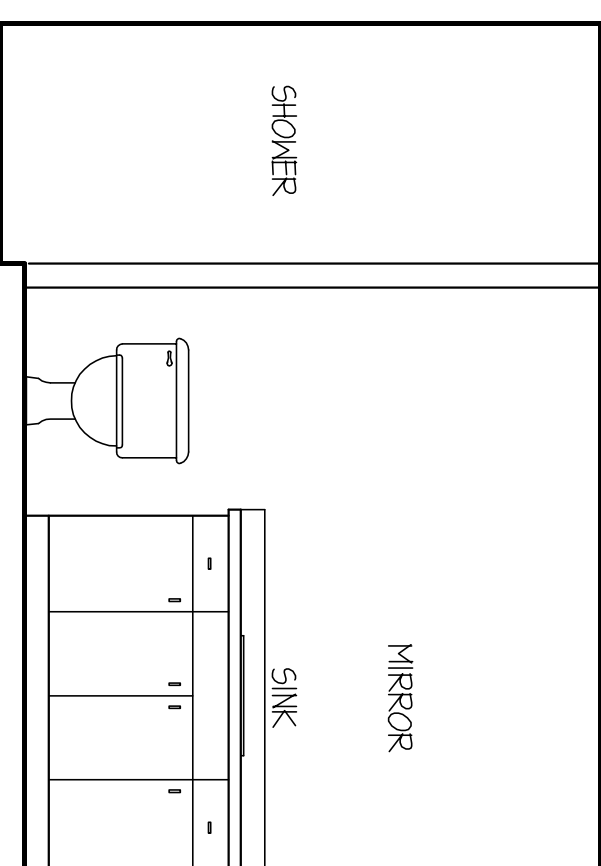
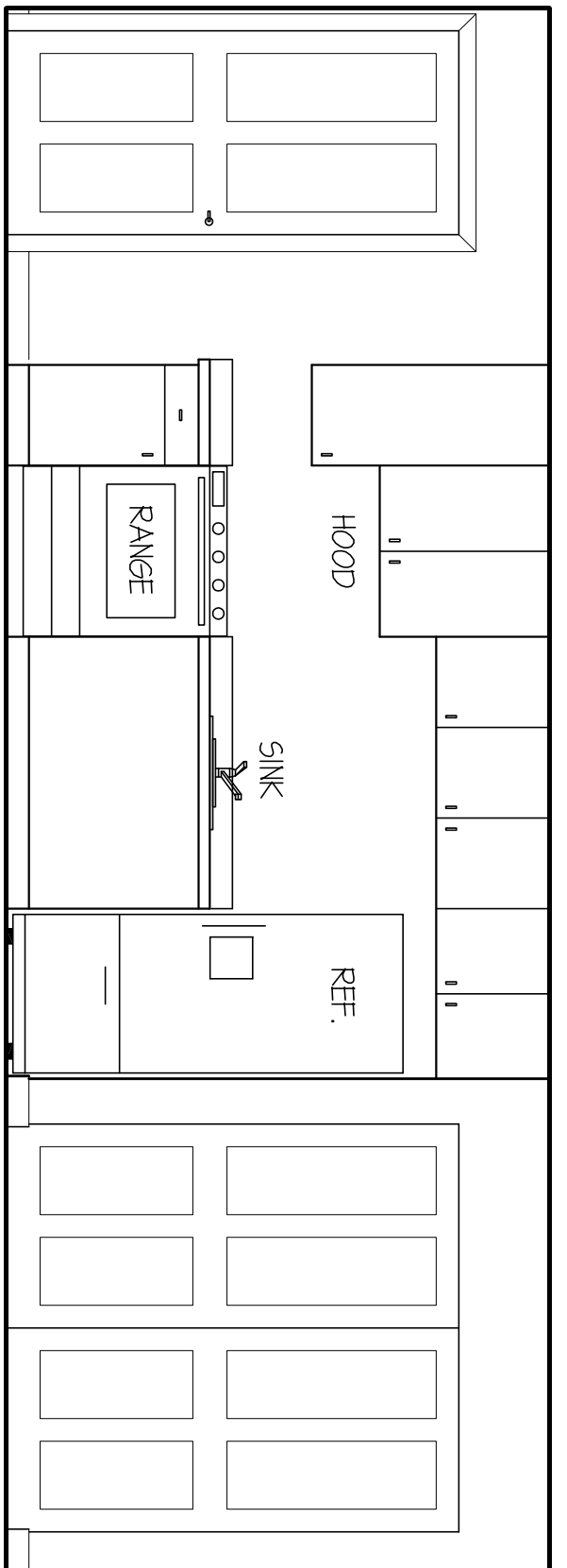
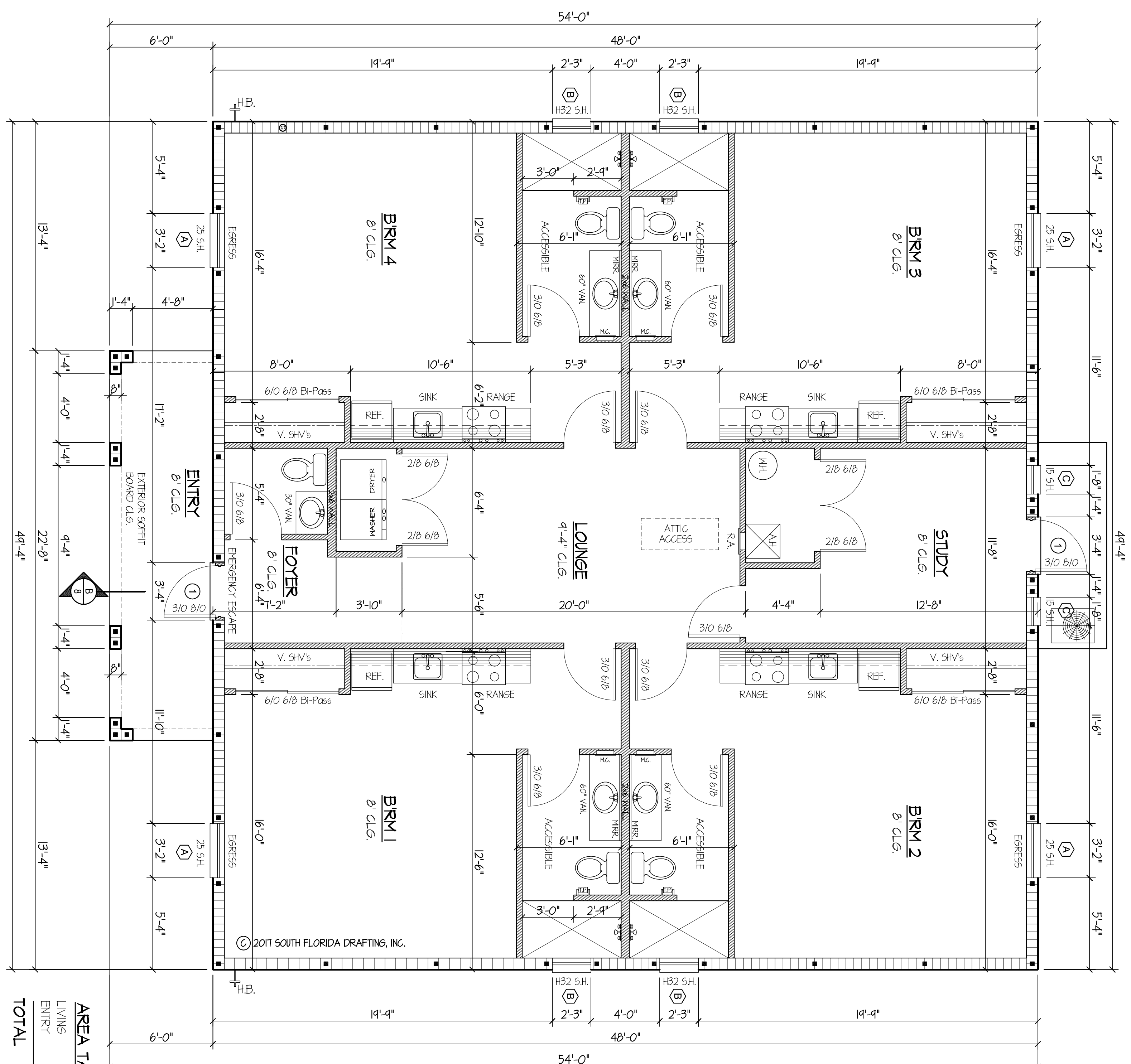


PRELIMINARY PLANS NOT FOR CONSTRUCTION



HANDICAP THRESHOLD REQUIREMENT
HANDICAP REQUIREMENTS
PER FLORIDA BUILDING CODE 2014



AREA TABULATION

LIVING	2360
ENTRY	136
TOTAL	2504

FLOOR PLAN
SCALE: 1/4" = 1'-0"

WINDOW SCHEDULE							
MARK	WINDOW	MANUFACTURER	MODEL OR SERIES	APPLIED PRESSURE	DESIGN PRESSURE	IMPACT PROTECTION	FL. PRODUCT APP. #
A	25 5/16"	PGF	SH-100	30.4 - 40.1	10 - 10	IMPACT GLASS	FL 234.4 R-10
B	H 32 5/16"	PGF	SH-100	30.4 - 40.1	10 - 10	IMPACT GLASS	FL 234.4 R-10
C	5 5/16"	PGF	SH-100	30.4 - 40.1	10 - 10	IMPACT GLASS	FL 234.4 R-10

DOOR SCHEDULE							
DOOR NO.	DOOR	MANUFACTURER	MODEL OR SERIES	APPLIED PRESSURE	DESIGN PRESSURE	IMPACT PROTECTION	FL. PRODUCT APP. #
1	3/0 6/0 ENTRY UNIT	THERMAKUL	FIBER GLASSIC	30.4 - 40.1	6.7 - 6.7	IMPACT	FL 1103.2 R-1

SCOFFIT SCHEDULE					
ALCOA	VARDORNE	432 - 10.0	31.4 - 34.4	FL 559.11	

NOTE:
SIEG COMPLIANCE ON WINDOWS - LESS THAN OR EQUAL TO 0.25
U-FACTOR COMPLIANCE ON WINDOWS - LESS THAN OR EQUAL TO 0.65
IMPACT - LESS THAN OR EQUAL TO 0.15

NOTE:
Soffits Shall Be Capable of Resisting the design Pressures Specified in Table R301.2 (2) for Walls (Sec. R103.11)

Any reproduction of these prints is prohibited by Federal Copyright Laws. Any illegal reproduction will be aggressively pursued to the fullest extent of the copyright law.
© South Florida Drafting, Inc.

SRO

OF 3 10

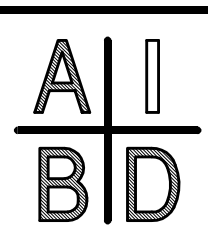
DWN. BY:	REVISIONS
S. A. M.	
CHK. BY:	
DATE:	
14 NOV. 2011	
JOB NO.:	
170929	

FLOOR PLAN

A RESIDENCE FOR:
Affordable Homeownership Foundation

BUILT BY:
BUILDER

ADDRESS
FT. MYERS, FLA. 33919
TEL. NO. (239) 123-4567



IF ANY ERRORS OR OMISSIONS EXIST IN THESE DRAWINGS OR SPECIFICATIONS THE CONTRACTOR AND / OR OWNER SHALL WITHIN 60 DAYS AFTER RECEIPT OF THESE DRAWINGS AND PRIOR TO CONSTRUCTION NOTIFY SOUTH FLORIDA DRAFTING INC. IN WRITING OF SAID ERRORS OR OMISSIONS OR BE HELD HOLLY RESPONSIBLE FOR THE RESULTS AND COSTS OF RECTIFYING THE SAME.

SOUTH FLORIDA DRAFTING INC. DOES NOT ASSUME ANY RESPONSIBILITY FOR SUPERVISION OF CONSTRUCTION. CONTRACTOR AND SUB-CONTRACTORS ARE TO STRICTLY ADHERE TO ALL STANDARD BUILDING CODES INCLUDING ALL AMENDMENTS BY LOCAL BUILDING DEPARTMENTS.

SOUTH FLORIDA DRAFTING INC. IS NOT RESPONSIBLE FOR ANY ENGINEERING OR ARCHITECTURAL CERTIFICATIONS THAT MAY BE REQUIRED.

8498 Beacon Blvd.
Fort Myers, FL.
33907-3005
PHONE
(239) 561-8632

